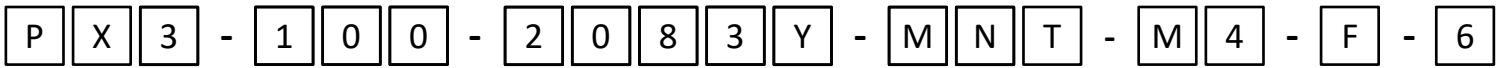




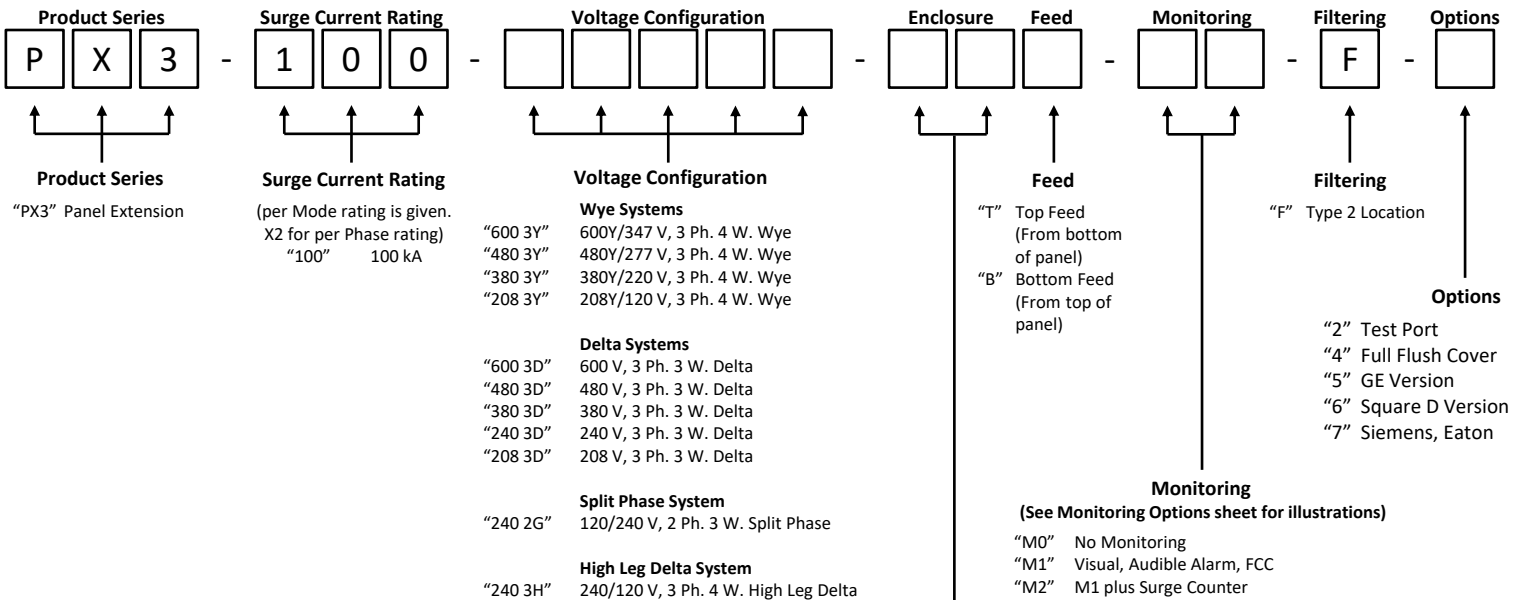
Panel Extension SPD with Thermally Protected MOVs for Panelboards

Product Number Configuration Guide

Product Number Example:



Application Specific Model Number:



Dimensions	
Without Disconnect	
PX3-100:	9"h x 20"w x 5.75"d 18 lbs.
With Disconnect	
PX3-100:	14"h x 20"w x 5.75"d 20 lbs.
(Standard Enclosures: NEMA 1)	
(Stainless Steel Enclosures: NEMA 4X)	